

## Any mag drive you want, we got it.... The Verdermag V-MD Series



A very compact, mag drive centrifugal pump. Dependent on the application these pump series can be supplied with either closed or open impeller. The electric motors are completely integrated and are fed with a power supply of 230/240 V, 50 Hz. All type can be supplied with threaded or hose connection.

The wide choice of V-MD pumps is based upon the most common OEM requirement for optimum flow and head characteristics.

The major advantage for using the V-MD pumps is total product containment; no unexpected leakage. Even for flows up to 100 liters/minute the models are still compact due to the close coupled electric motors.

The process connections are standard hose design, but the larger models in particular can also be supplied with threaded connections.

Motor specifications are standard single phase (100-110 V and 220-240 V), 50 to 60 Hz for use worldwide.

For optimum efficiency and lower heat input the smaller models can be operated with DC drives. The maximum voltage is 24 V, this results in an operating speed of 4.000 rpm. This is much higher than the 2.500 rpm at 50 cycles with AC drives.

### Features and benefits

- Total product containment
- Excellent for OEM requirements in flow and characteristics
- No leakage
- Compact but very reliable
- The small pump with gigantic possibilities
- UL-VDE approved

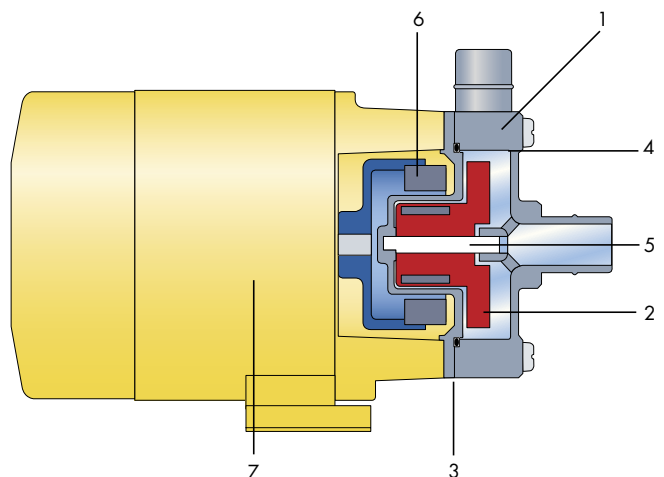
### Models



Self priming execution

At least 12 models are available in Polypropylene, and several of these are manufactured also in E-TFE or PVDF for more demanding applications.

### Cut away view



- 1 front casing
- 2 impeller
- 3 rear casing
- 4 O-ring
- 5 shaft
- 6 outer magnet
- 7 motor

## Technical specifications

	V-MD
Flow range	0,01 - 100 l/min
Head	up to 20 m
Temperature	0 to + 70 °C
Power supply	100 - 110 / 220 - 240 volts or 24 volts DC (at 4000 rpm)

## Application areas

- OEM
- Chemical processing
- Metal plating
- Parts washing
- Circuit boards
- Photo processing
- Pharmaceuticals
- Food processing

### VERDER Group, Verdermag products

Empo-Verder N.V., Kontichsesteenweg 17, B-2630 Aartselaar • Tel.: +32 (0)3 877 11 12 • Fax: +32 (0)3 877 05 75 • info@empo-verder.be • www.empo-verder.be

Affiliated companies: A Wien • B Aartselaar • CN Shanghai • CZ Praha • D Haan • F Eragny s/Oise • GB Leeds • H Budapest • JPN Tokyo  
NL Groningen/Vleuten • PL Katowice • RO Bucuresti • SA Kya Sand • SK Bratislava • USA Newtown