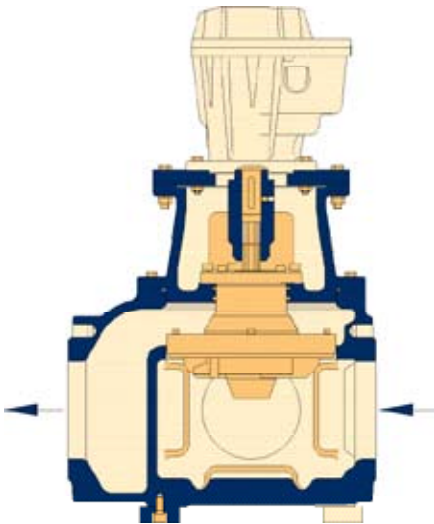


## Verderpro macerators, model VPM

*Verderpro VPM model macerators ensure that wastewater treatment proceeds smoothly. Fibrous and solid substances in the wastewater and in the sludge are cut and reduced ensuring the trouble-free operation of the pump. Flow from 2 up to 150 m<sup>3</sup>/hr*

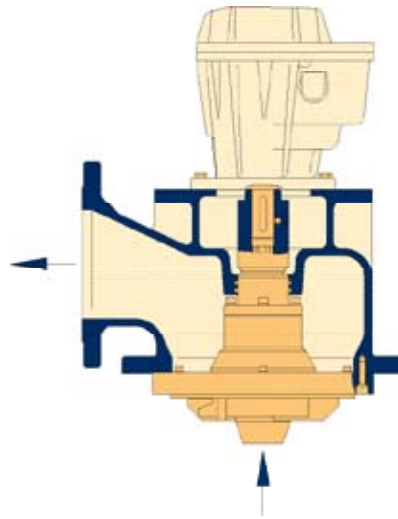


**Models:**  
VPMI



- The cartridge design enables the cutting device to be replaced in one step
- Can be directly connected or can be built in three product feed positions
- Size reduction using various types of cutting plates
- Two large cleaning openings with integrated stone catcher

**VPMU**



- The cartridge design enables the cutting device to be replaced in one step
- Size reduction using various types of cutting plates
- Standard execution; product feeding at the bottom.
- Separate stone catcher with base plate