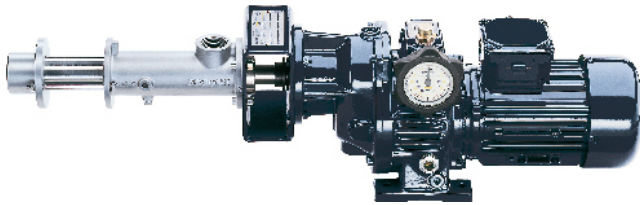


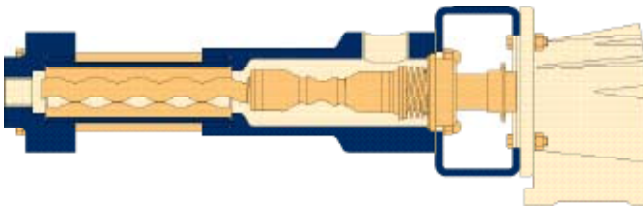
Verderpro progressing cavity pumps, model VPD



The Verderpro VPD model dosing pumps are applied in all branches of industry especially for dosing smaller volumes. The pumps are non-pulsating and dose fluids from low to high viscosity with or without solids including aggressive chemical fluids. Dosing accuracy of <1%. The modular design of these pumps enables components such as the rotor and stator to be interchangeable therefore the best solution can always be found.

Pump types

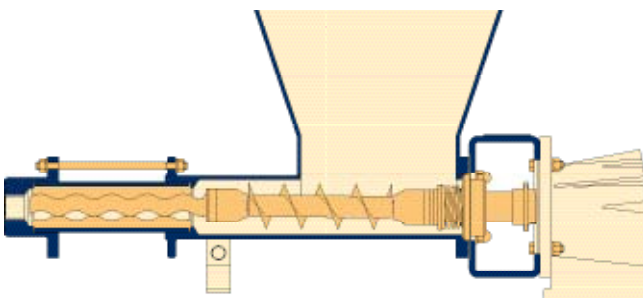
■ VPD type



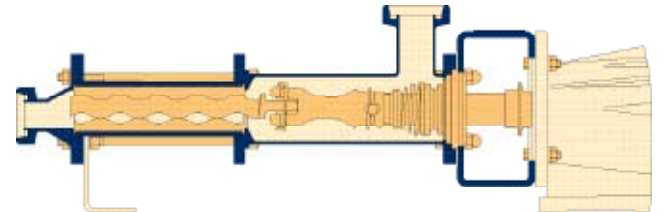
- Close coupled, short and compact construction
- Easy maintenance through pin shaft
- Material options in stainless steel or non-metallic materials
Optional: rotor and stator (non-metallic) are manufactured (patented) out of one piece; a good alternative from a price perspective.
- Hopper/Feeder with conical/cylindrical compression zone. Coupling rod with screw auger.
- For high viscous media and media that have poor flow characteristics

■ VPDR type

- Feeder with conical/cylindrical compression zone.
- Coupling rod with screw pitch.
- For high viscous media and media that have poor fluidising capacities

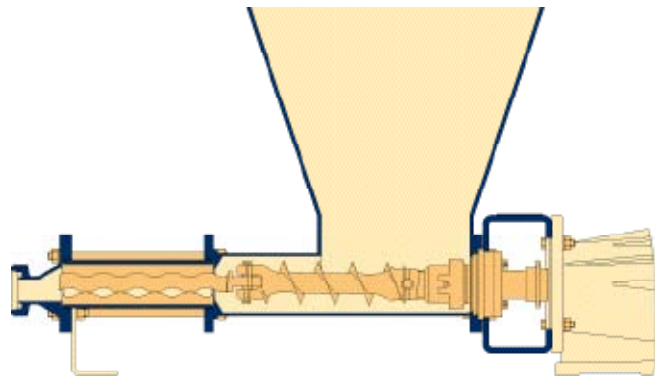


■ VPDH type



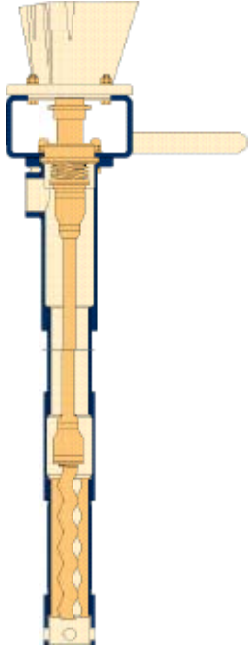
- 3A Sanitary and FDA approved
- Extremely anti-corrosive and wear resistant (rotor AISI 316 Ti, stator silicone light)
- Newly designed open pin coupling consisting of only two elements for higher pressure and better flow rates

■ VPDHR type



- For pumping high viscous, non-fluidising products
- Pin shaft connection between rotor and drive; extremely maintenance friendly. No special tools required for assembly and disassembly.
- 3A Sanitary and FDA approved
- Extremely anti-corrosive and wear resistant (rotor AISI 316 Ti, stator silicone free)
- Newly designed open pin coupling, comprising of only two elements

■ VPDB type



- For pumping thin flowing to viscous fluids
 - Suitable for open and closed drums, 2" opening
 - Mobile unit, lightweight.
- Equipped with a carrying handle

■ Seals

- Single mechanical seal with various options
- Double acting mechanical seal with various options
- Mechanical seal with quench

■ Accessories

- Dry running protection
- Dry running protection, food grade
- Overpressure protection with bypass
- Impeller
- Dosing unit
- Lantern ring
- CIP connection

■ Application areas

- Slurry drainage
- Water treatment
- Agriculture
- Bakeries
- Ceramic industry

Material selection

Depending on your application, we select the best material for the pump and the various parts.

The material options •) for the VPD model are:

■ Housing material

- HD PE (RCH 1000)
- AISI 316
- AISI 316 Ti
- St 37-2 mild steel

■ Rotor material

- AISI 316 Ti
- PVDF

■ Stator material

- Buna-N
- Silicone light

■ Wetted parts, material

- AISI 316 Ti
- PVDF

•) = not all materials can be combined.